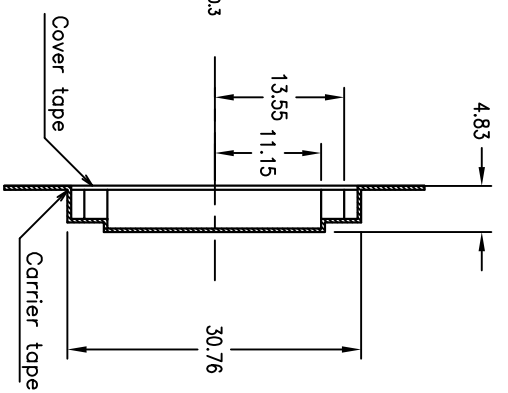
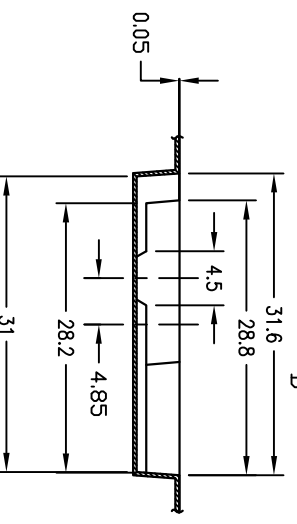
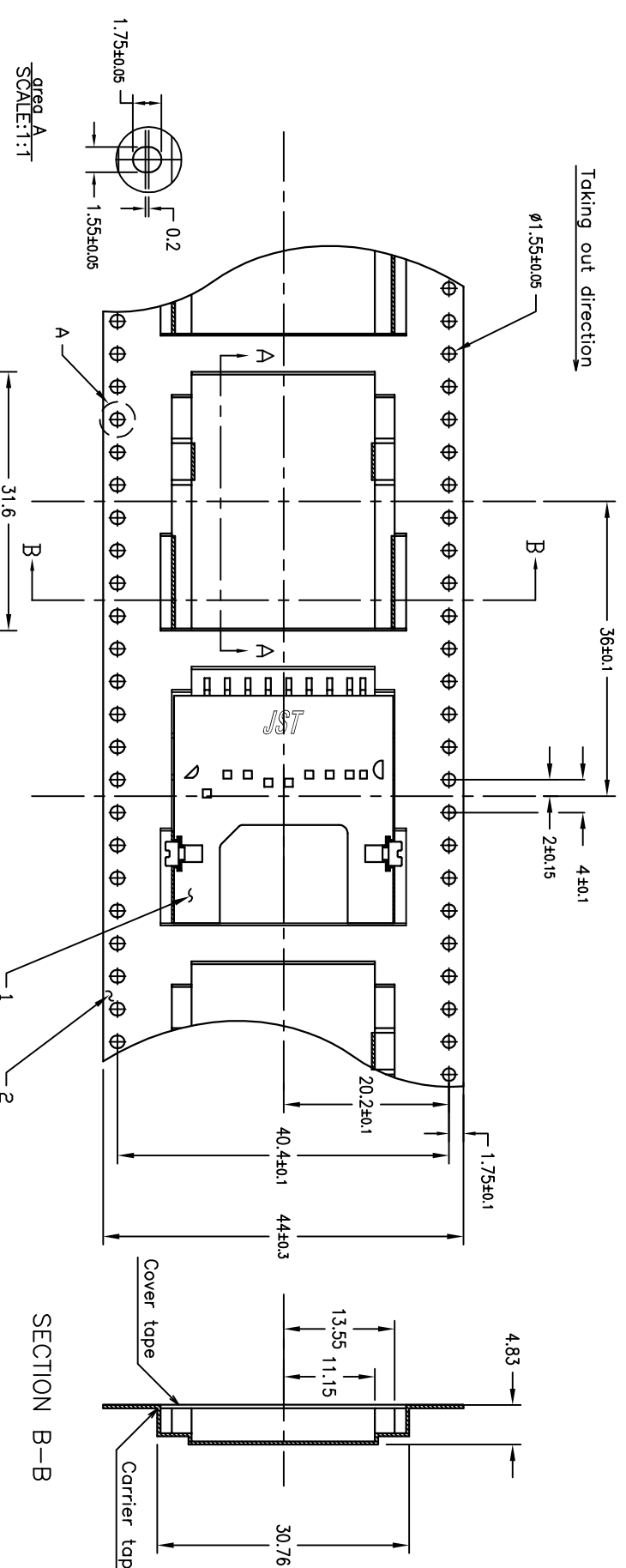
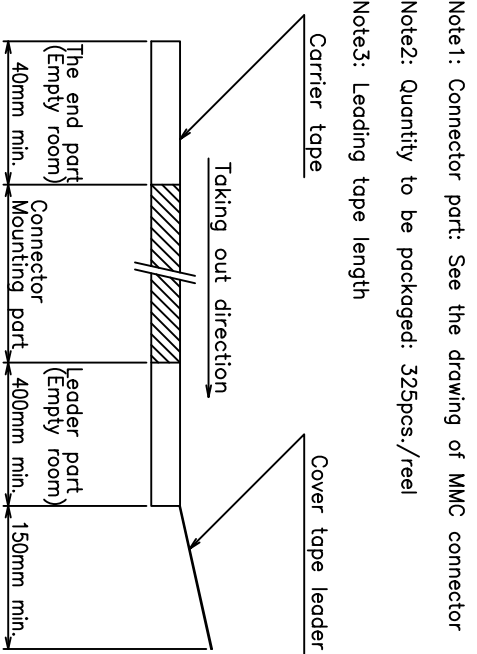
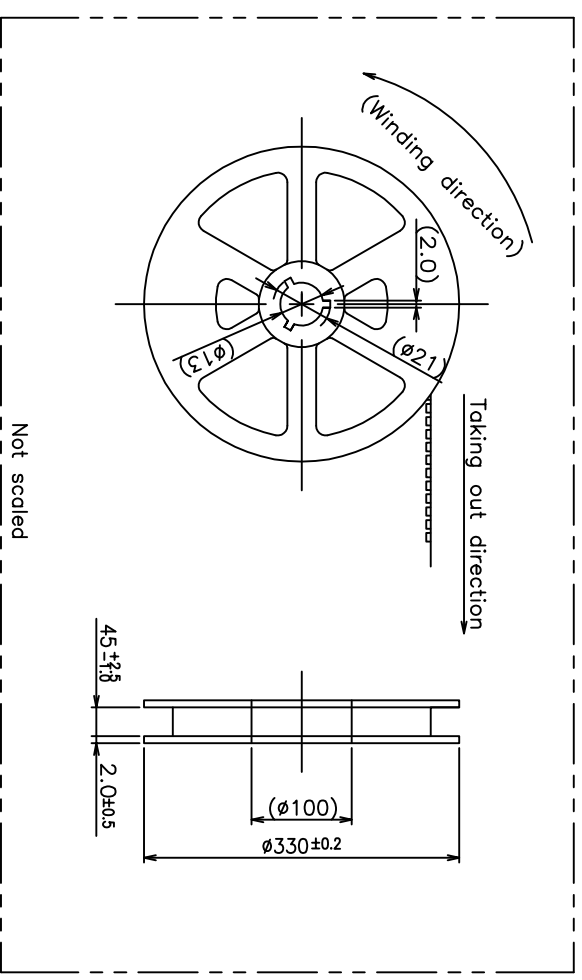
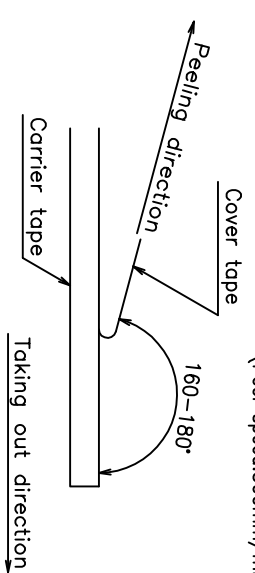


REV	DESCRIPTIONS	DATE	DESIGNED
△	Eliminated tape thickness(0.38)	9-3-03	AKI



grid A
SCALE:1:T

Note4: Cover tape peel strength:1N(102 gf) max. (Peel speed:300mm/minute)



Note5: Material: Carrier: Polyester(PET)
Cover : Polyester(PET)
Reel :Flange: Polystyrene(PS)
Core : Polystyrene(PS), Polypropylene

Note6: +/- 0.3mm
Unless otherwise specified tolerances

No.	PART NAME	MATERIAL	PART NUMBER	REMARKS
3	OTHERS			SEE NOTES5
2	EMBOSS TAPE		ET-H001	YPC(No-3246-1)
1	SOCKET		MMCH-9S-414R	

SIZE	UNIT	PROJECTION	DATE	CUSTOMER
B	METRIC		Mar.06.2001	

APPROVED	CHECKED	DESIGNED	DRAWN	SCALE	SERIES NAME	PART No.	DRAWING No.
BBM	RH	AKI	PCC	2:1	MMC 9 PINS EMBOSS TAPING	MMCH-9S-414R-TF	KRD-H016

JST		JST CORPORATION HEC	
			R2

THIS DRAWING CONTAINS INFORMATION THAT IS PROPRIETARY TO J.S.T. AND SHOULD NOT BE USED WITHOUT WRITTEN PERMISSION.